



SQH5040S SERIES ~ SMD Semi Power Inductors



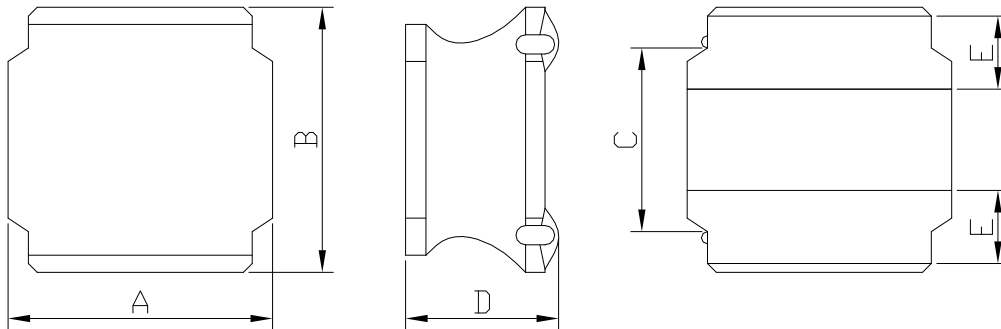
PART NUMBERING SYSTEM

(AEC-Q200)

SQH	5040S	—	3R3M	—	LF
TYPE	DIMENSIONS		INDUCTANCE		LEAD FREE

SHAPES AND DIMENSIONS

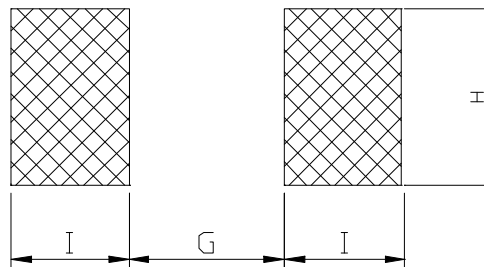
UNIT : mm



A=5.2 Max. B=5.2 Max. C=3.25 Ref. D=4.0 Max. E=1.2±0.2

RECOMMENDED PATTERNS

UNIT : mm



G= 2.10 H= 4.00 I = 1.50

FEATURES

- * Low profile and small inductors (5.2mm Max. square and 4.0mm Max. height)
- * Magnetically shielded construction and high current
- * Ideal for DC-DC converter choke coil for portable equipments (DVDs , DSC , Cellular , PDAs)
- * RoHS compliant option with lead free



SQH5040S SERIES ~ SMD Semi Power Inductors



SPECIFICATION TABLE

(AEC-Q200)

PART NUMBER	INDUCTANCE (μH)	DCR (mΩ) (Max.)	Isat (A) (Max.)	Irms (A) (Max.)	TEST FREQ. (f)
SQH5040S-1R5N-LF	1.5±30%	24	6.00	3.60	100KHz
SQH5040S-2R2N-LF	2.2±30%	26	4.60	3.50	100KHz
SQH5040S-3R3M-LF	3.3±30%	32	3.80	3.30	100KHz
SQH5040S-4R7M-LF	4.7±30%	35	3.30	3.10	100KHz
SQH5040S-6R8M-LF	6.8±20%	59	2.60	2.30	100KHz
SQH5040S-100M-LF	10±20%	67	2.30	2.10	100KHz
SQH5040S-150M-LF	15±20%	96	2.00	1.80	100KHz
SQH5040S-220M-LF	22±20%	151	1.60	1.40	100KHz
SQH5040S-330M-LF	33±20%	216	1.30	1.20	100KHz
SQH5040S-470M-LF	47±20%	372	1.10	0.90	100KHz

- Isat : DC current at which the inductance drops 30%(typ) from its value without current.
- Irms : The temperature rise current value is the DC current value having temperature increase up 40°C temperature rise from 25°C ambient.
- Operating temperature range -40°C to +125°C , Electrical specifications at 25°C .

